

1

2

3

4

5

6

A

A

B

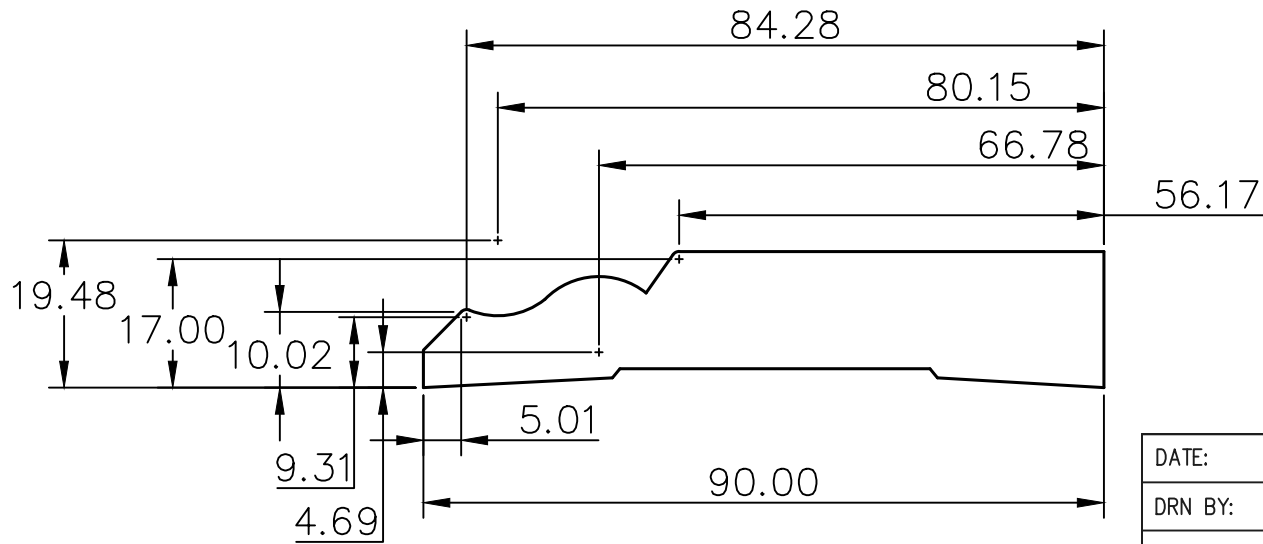
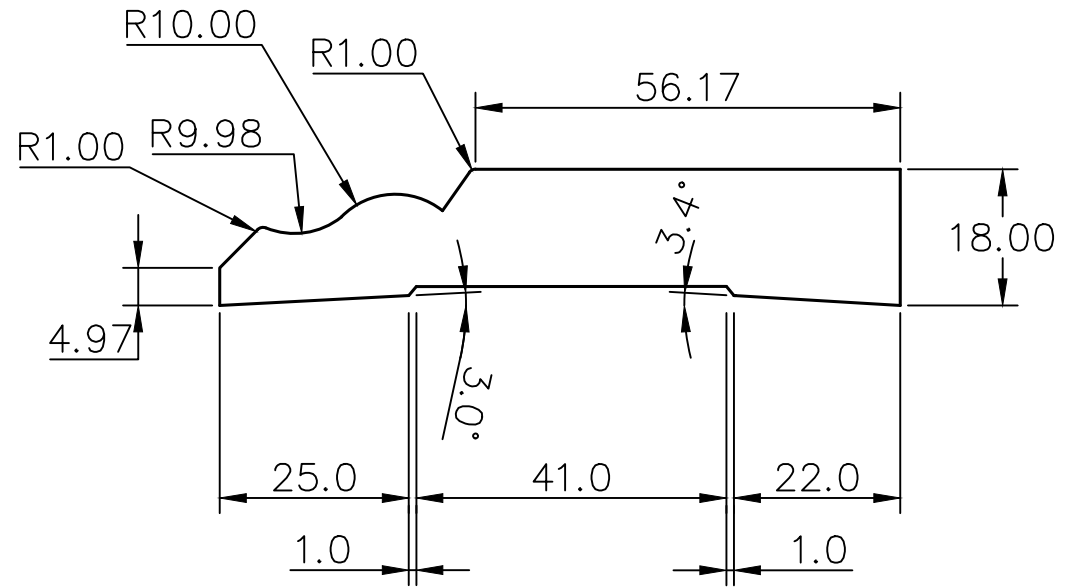
B


C

C

D

D



DATE:	DRAWING TITLE: COLONIAL AS2 90x18MM
DRN BY:	
CHKD BY:	 EziTrimplus Innovative Timber Ideas www.ezitrimplus.com
SCALE: 1:1	
UNLESS OTHERWISE STATED ALL DIMENSIONS ARE IN MILLIMETRES.	

1

2

3

4

5

6